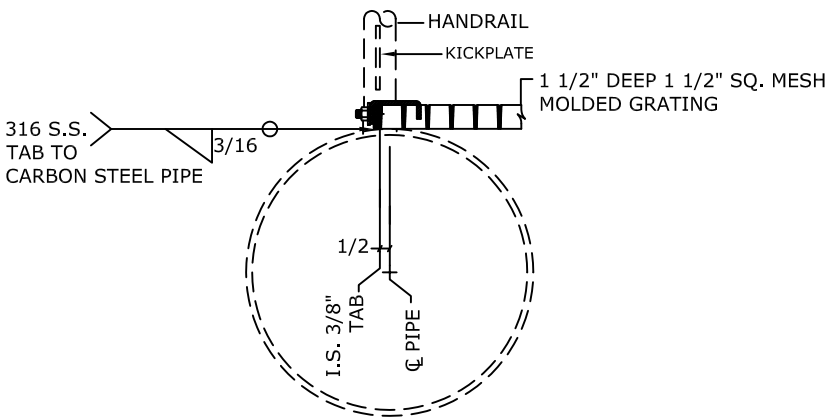
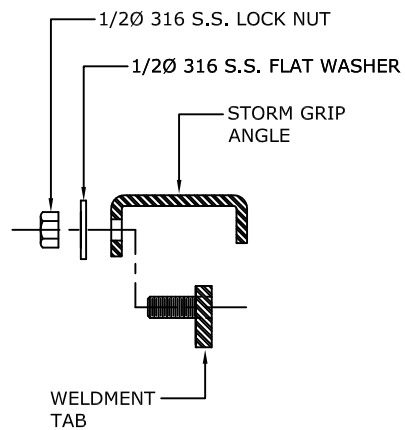
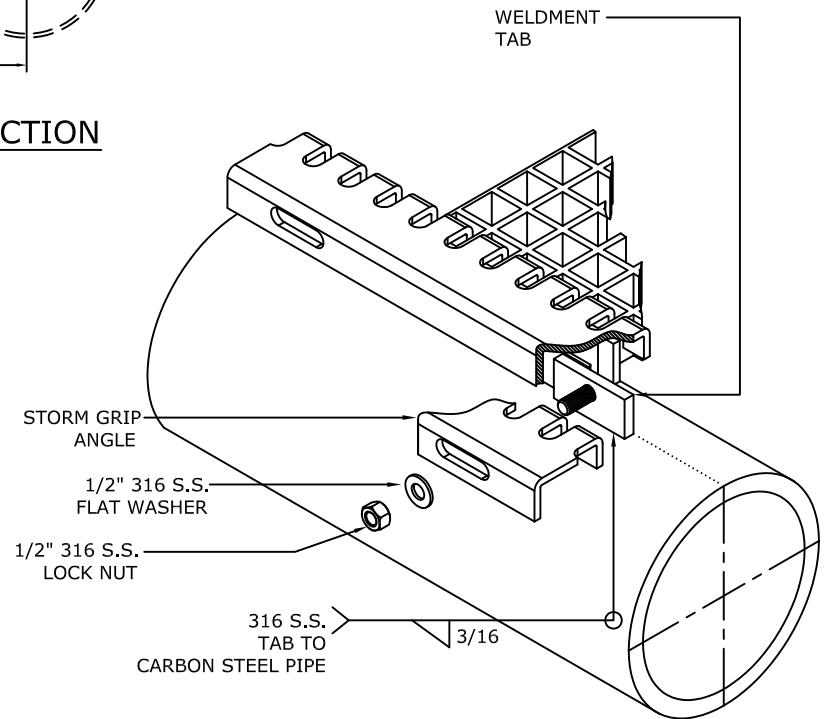


**FIBERGRATE GRATING WALKWAY SECTION**




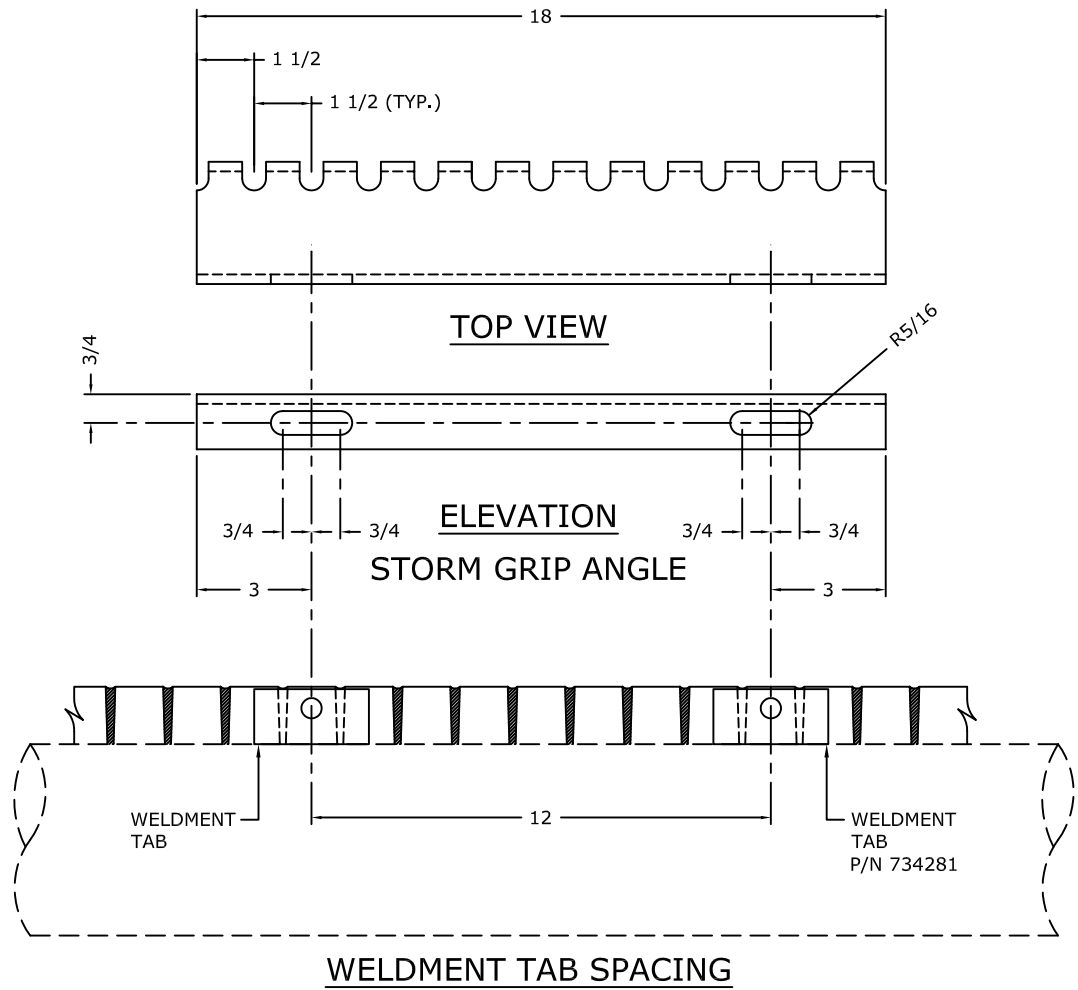
**STORMGRIP CLIP ANGLE  
INSTALLATION DETIAL**



**ISOMETRIC VIEW**

**ENLARGED DETAIL**

 An RPM Company				REV	DESCRIPTION	DATE	BY	STORMGRIP - HOLD DOWN CLIP		
				0	ECN # 80	10/18/04	EAL	SCALE	N.T.S.	DATE
							DRAWING NUMBER		SHEET	
							B-01218		1 OF 7	

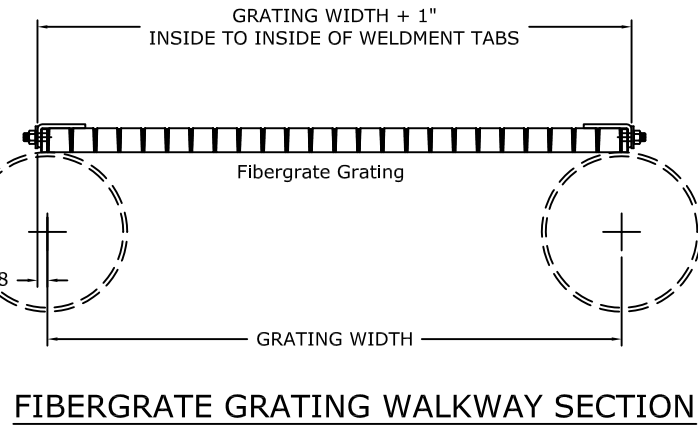


STORMGRIP CLIP ANGLE  
P/N 734280 (Angle only)  
P/N 710540 (Angle Assy.)

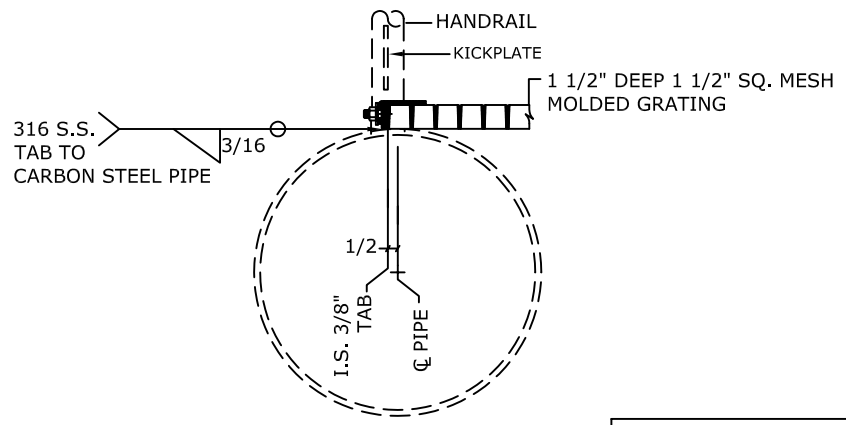
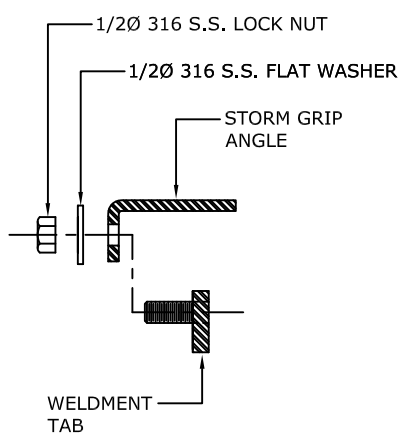
NOTE: SEE PLANS FOR  
STORM GRIP ANGLE  
LOCATIONS AND SPACINGS

 An RPM Company	REV	DESCRIPTION	DATE	BY	STORMGRIP - HOLD DOWN CLIP			
	0	ECN # 80	10/18/04	EAL	SCALE	N.T.S.	DATE: 08/17/04	DRAWN: TLE
					DRAWING NUMBER		SHEET	
					B-01218		2 OF 7	

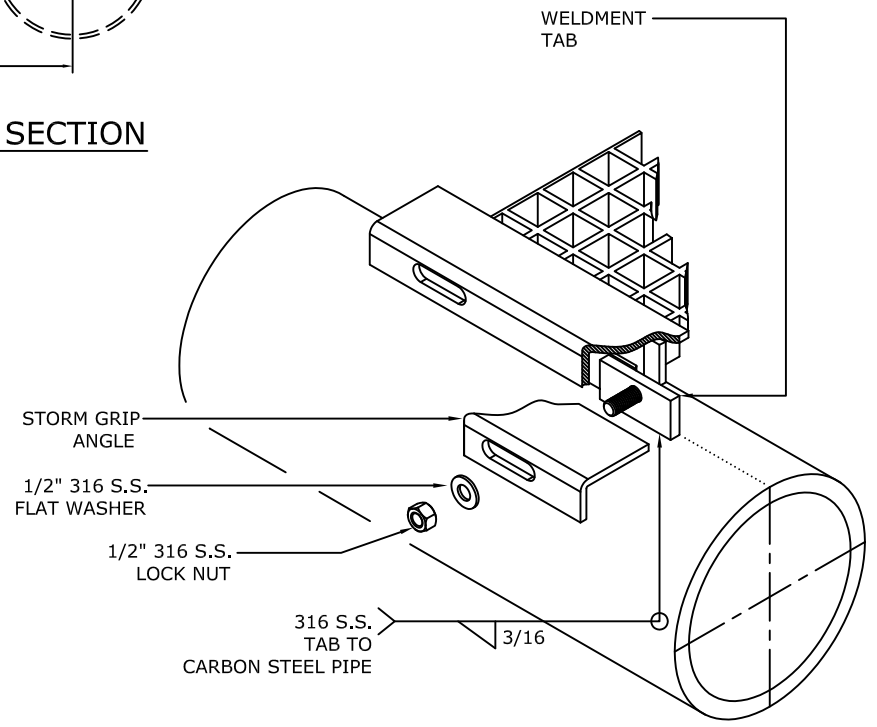
# STORMGRIP STRAIGHT CLIP ANGLE INSTALLATION DETAIL



**FIBERGRATE GRATING WALKWAY SECTION**



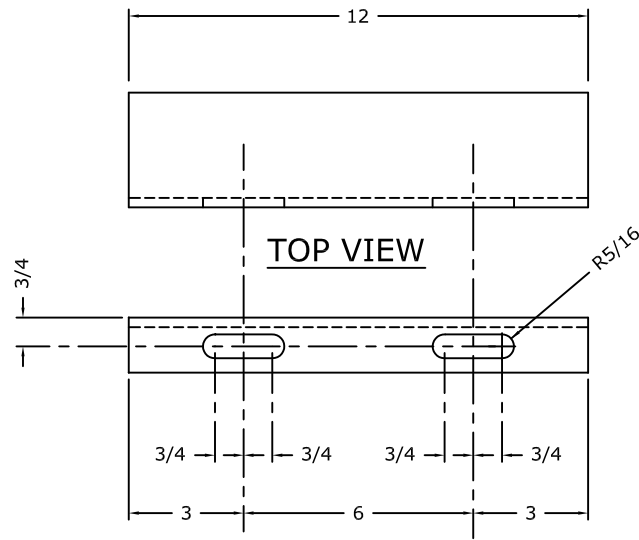
**ENLARGED DETAIL**



**ISOMETRIC VIEW**

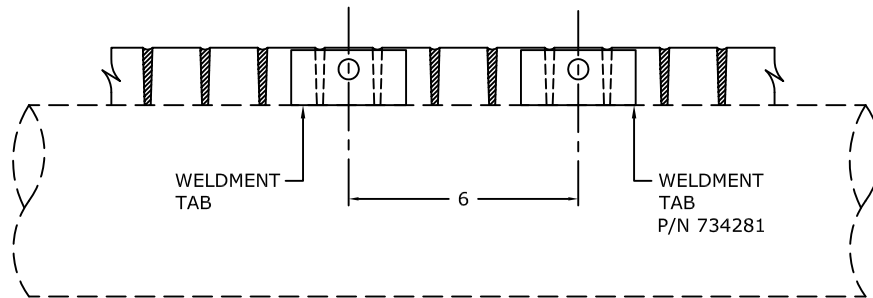
<b>Fibergrate</b>				STORMGRIP - STRAIGHT ANGLE HOLD DOWN CLIP			
Composite Structures				REV	DESCRIPTION	DATE	BY
An RPM Company				0	ECN # 80	10/18/04	EAL
SCALE		DATE		DRAWN		SHEET	
N.T.S.		08/17/04		TLE		3 OF 7	
DRAWING NUMBER						SHEET	
B-01218						3 OF 7	

STORMGRIP STRAIGHT CLIP ANGLE  
P/N 734293 (ANGLE ONLY)  
P/N 710545 (ANGLE ASSEMBLY)




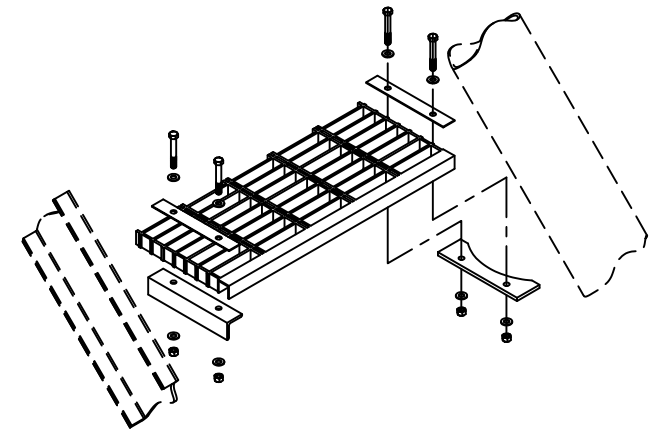
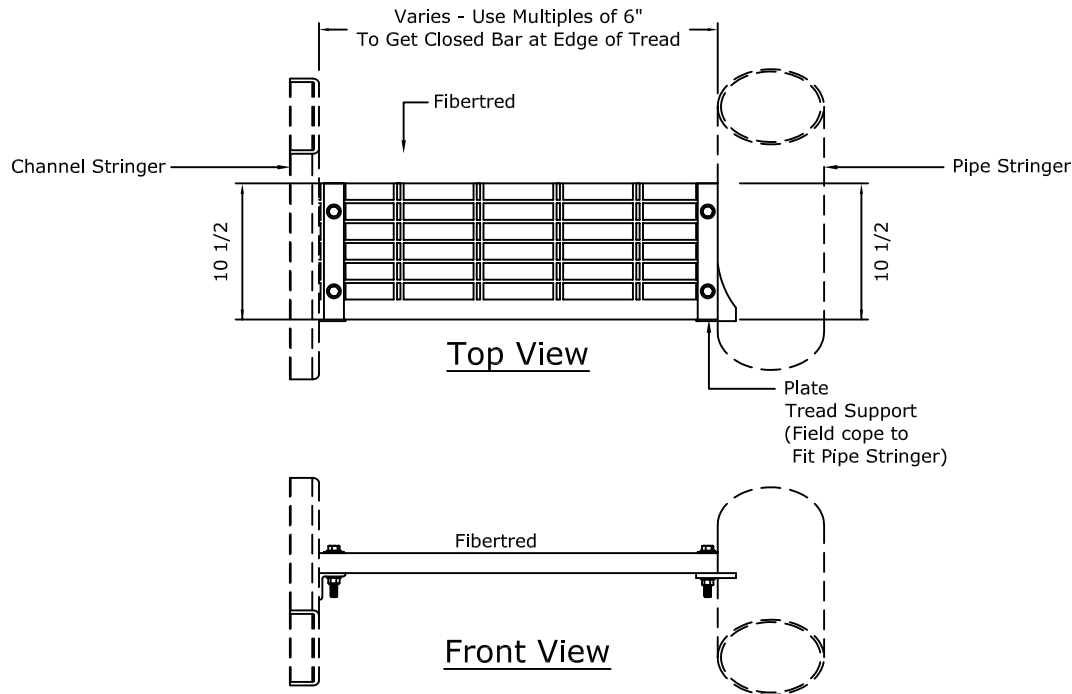
ELEVATION  
**STORM GRIP ANGLE**

NOTE: SEE PLANS FOR  
STORM GRIP ANGLE  
LOCATIONS AND SPACINGS

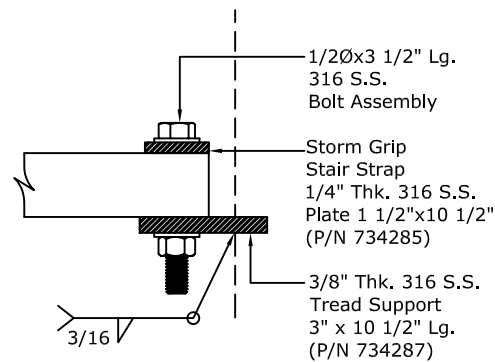
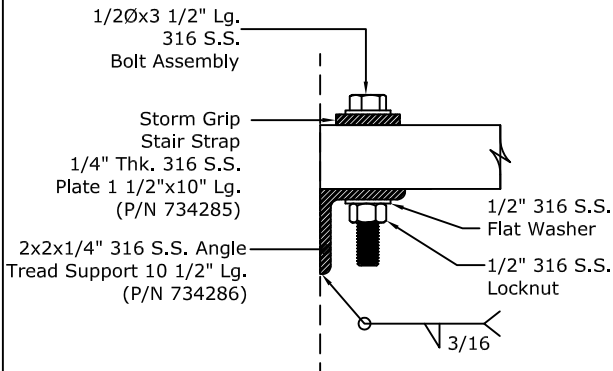


WELDMENT TAB SPACING

 An RPM Company	REV	DESCRIPTION	DATE	BY	STORMGRIP - STRAIGHT ANGLE HOLD DOWN CLIP		
	0	ECN # 80	10/18/04	EAL	SCALE	N.T.S.	DATE: 08/17/04
					DRAWN:	TLE	
					DRAWING NUMBER	B-01218	
					SHEET	4 OF 7	



**ISOMETRIC VIEW**  
Stair Tread Attachment Detail  
at Wave Zone



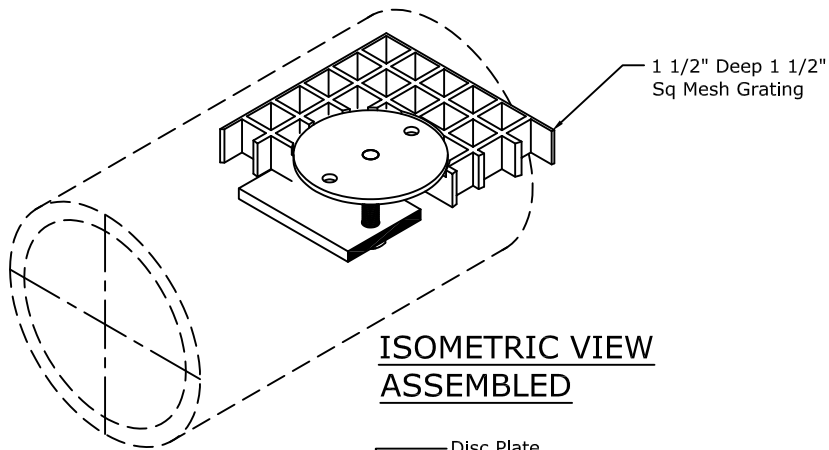
**Fibergrate**  
Composite Structures  
An RPM Company

REV	DESCRIPTION	DATE	BY	STORMGRIP - TREAD SUPPORT		
0	ECN # 80	10/18/04	EAL	SCALE	N.T.S.	DATE: 08/17/04
				DRAWING NUMBER	B-01218	
					DRAWN:	TLE
					SHEET	5 OF 7



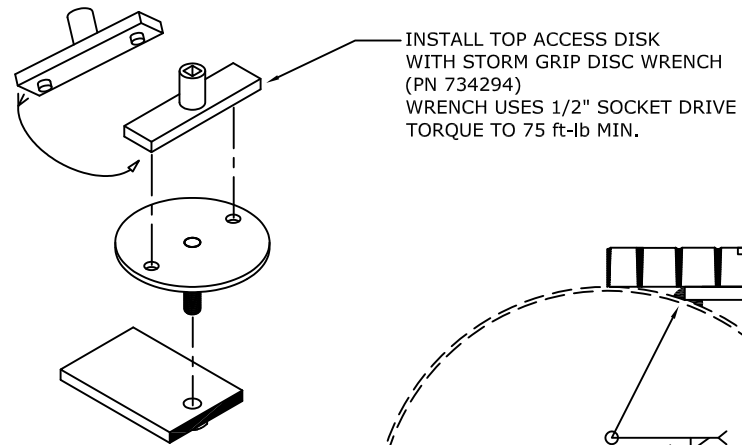
# STORMGRIP - TOP ACCESS DISC ASSEMBLY

See Plans For Locations And Spacings



**ISOMETRIC VIEW  
ASSEMBLED**

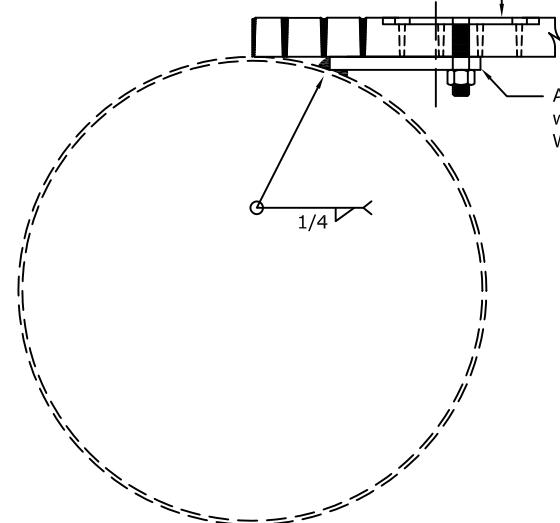
1 1/2" Deep 1 1/2"  
Sq Mesh Grating



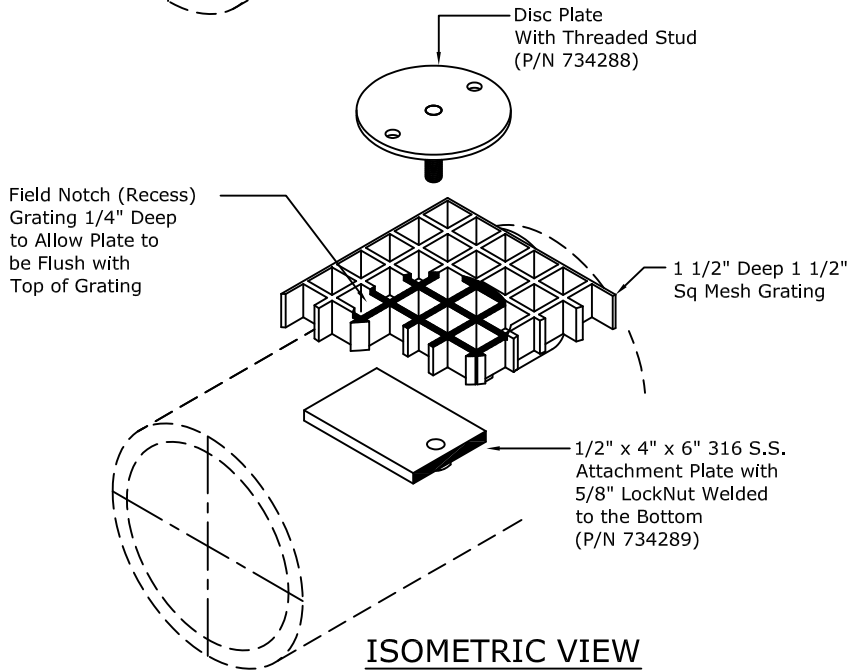
INSTALL TOP ACCESS DISK  
WITH STORM GRIP DISC WRENCH  
(PN 734294)  
WRENCH USES 1/2" SOCKET DRIVE  
TORQUE TO 75 ft-lb MIN.

Disc Plate  
Flush With Top  
of Grating

Attachment Plate  
with (1) 5/8" Nut  
Welded to the Bottom



**SECTION VIEW**



**ISOMETRIC VIEW  
EXPLODED**

Disc Plate  
With Threaded Stud  
(P/N 734288)

Field Notch (Recess)  
Grating 1/4" Deep  
to Allow Plate to  
be Flush with  
Top of Grating

1 1/2" Deep 1 1/2"  
Sq Mesh Grating

1/2" x 4" x 6" 316 S.S.  
Attachment Plate with  
5/8" LockNut Welded  
to the Bottom  
(P/N 734289)

**Fibergrate**  
Composite Structures  
An RPM Company

REV	DESCRIPTION	DATE	BY	STORMGRIP - TOP ACCESS DISC ASSEMBLY		
0	ECN # 80	10/18/04	EAL	SCALE	N.T.S.	DATE: 10/18/04
				DRAWING NUMBER	B-01218	
					DRAWN:	TLE
					SHEET	7 OF 7